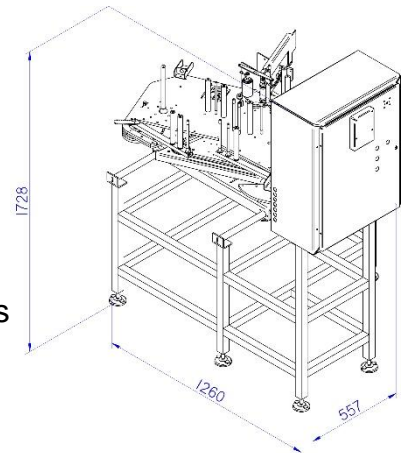




Marefa
Self-adhesive Labeler
(High Speed)

FEATURES

- Manufactured from stainless steel and/or non-corrosive materials
- All bearings stainless steel.
- Mounted on stand with intermediate conveyor section.
- Easy height adjustment.
- Top belt assembly to offer bottle support while labeling.
- Air knife for label stability, “whisper blower”.
- Spring-loaded gate system to wipe labels onto bottle.
- Servo drive for precision labeling.
- Dual pinch roller system
- Adjustable label height.
- Adjustable fork sensor to accommodate different label lengths.
- Adjustable sensor delay and dispensing speed.
- Driven bulk and rewind rollers – variable speed to allow for change in diameter with automatic sensing system, allows larger label rolls.
- Quick waste removal system.
- Preset recipe for quick/easy changeovers



TECHNICAL INFORMATION

AIR CONSUMPTION (depending on application)	400lt/min@6bar
ELECTRICAL SUPPLY VOLTAGE	380V THREE PHASE
PHYSICAL SIZE	1500 X 1 400 X 1250mm
BULK ROLL DIAMETER (MAX.)	560mm

LABELING SPEEDS

Up to 400 bottles a minute with specified bottles depending on the application.

NOTE: Labeling speeds may vary as it is subject to application method and label length