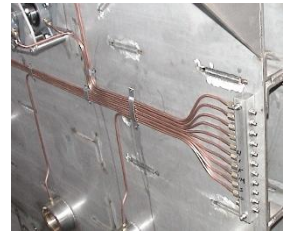


**Marefa**  
**Rotary Filler Capper**



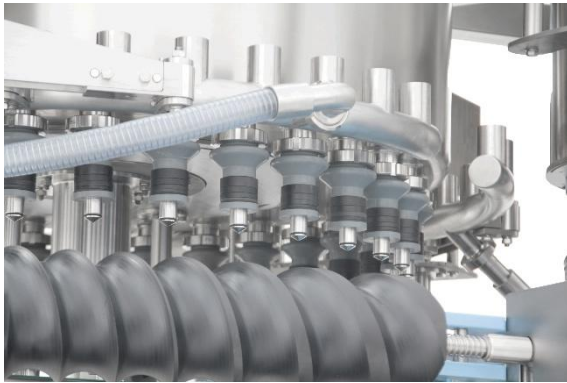
## FEATURES

- PLC controlled machine with electronically variable speed control.
- Rigid stainless steel welded base with NO bearings exposed.
- NO mild steel base frame with stainless steel cladding.
- “Easy-to-access” grease manifold distribute grease to all rotating parts underneath machine.
- Manual or motorized jacking.
- Control panel in front of machine with display for error readings and fault analysis.
- Modem linked to PLC for remote access via Telephone line for technical analysis.
- Pneumatic product level control in tank.
- Low viscosity level filling.
- High viscosity level filling. (SA Patent)
- “Anti-splash” valve attachment to prevent spillage. (SA Patent)
- Filling bowl & capping section jacks with ACME thread for better life span.
- Filling bowl with knuckled radius for ease of cleaning, for hygienic purposes.
- Pneumatic product level control in tank.
- “Pick & Place” or “On the fly” capping available.
- Motorized capping.
- Horizontal or vertical cap unscrambler.
- Vertical capping head with stainless bolt on chute.
- Low level cap sensor, stops machine to reduce losses.
- Spring loaded capping chucks with magnetic clutch, running on stainless steel bearings, with no wearing parts.
- Rapid release star wheel attachment, for faster bottle change-overs. (SA Patent)
- Change parts and outer guide secured with rapid release mechanism. (SA Patent)
- Automatic, three directional CIP system to speed up cleaning process, and improve hygiene. (International Patent)
- Full safety guarding, with safety switches on doors and panels to shut down machine if opened while running.





- Different machine options:
  - Base handling machine for HDPE bottles with change parts.
  - Base handling machine for PET bottles with change parts.
  - Neck handling machine for PET bottles with base in-feed or neck in-feed
  - Base handling machine for HDPE bottles with foil cap.



### OPTIONS SUMMARY:

- Base handling for HDPE & PET / Neck handling for PET only
- Low viscosity filling valves / High viscosity valves
- Pick & Place capping / On the fly capping / Foil cap application
- Automatic CIP / Manual CIP
- Motorized jacking or Manual jacking - Filling bowl and/or screw section

### TECHNICAL INFORMATION

Electrical supply:

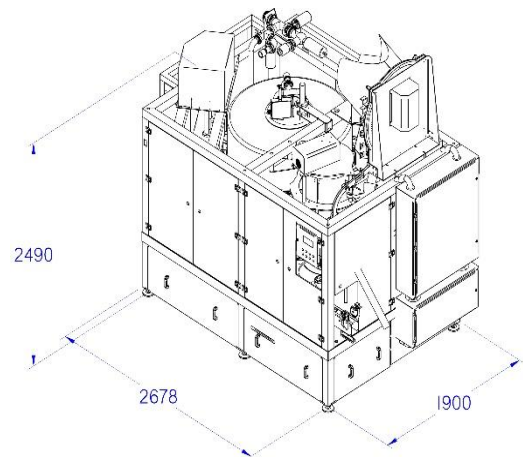
380V three phase + neutral and earth.

Air consumption:

250lt/min@6bar

## FILLING SPEEDS – for bottles with a 38mm neck finish

MACHINE	FILLING/CAPPING RATIO		FILLER SPEEDS - METRIC BOTTLES PER MINUTE				
	Filling	Capping	500ML	1LT	1.5LT	2LT	3LT
LS/9/3	9	3	90	62	57	53	N/A
CS/12/4	12	4	120	91	82	77	49
CS/15/5	15	5	150	114	102	96	N/A
CS/18/6	18	6	180	136	123	116	N/A
CS/21/7	21	7	210	159	144	N/A	N/A
DS/15/5	15	5	157	119	108	102	80
DS/18/6	18	6	189	144	130	122	97
DS/21/7	21	7	220	168	151	142	N/A
DS/24/8	24	8	252	192	173	163	N/A
DS/27/9	27	9	284	216	195	N/A	N/A
DS/30/10	30	10	315	240	216	N/A	N/A
ES/21/7	21	7	212	161	145	137	115
ES/24/8	24	8	242	184	166	156	131
ES/27/9	27	9	273	207	187	176	148
ES/30/10	30	10	303	230	208	196	N/A
ES/36/12	36	12	364	276	250	235	N/A
ES/39/13	39	13	394	300	270	N/A	N/A



**NOTE: Filling speeds may vary as they are subject to bottle design, product viscosity and foaming characteristics.**